

Dual Purpose Safety Device Blends Protection and Convenience

X-Wearable

Facilitate rapid communication between users and security teams, creating a more responsive and aware environment. These innovative wearable devices are designed for both visitors and staff, offering real-time tracking and communication while enhancing security protocols. Integrated seamlessly with the X-Guardian platform, X-Wearables provide instant alerts for emergencies and help ensure that every individual is accounted for in critical situations. User-friendly features such as a customizable panic button and vibration notifications, empower users to take immediate action when needed. Ideal for schools, hospitals, and corporate settings, X-Wearables are an essential tool for maintaining a secure and responsive atmosphere. No need to log into multiple devices—once connected to the X-Guardian service, devices automatically deploy in real-time, cutting down installation time. All devices come pre-configured for immediate use upon delivery.



X-Wearable Panic Badge Holder

A reliable and portable device designed for safety and convenience. Made from durable material, it features a panic button readily accessible for immediate use. Upon activation, this badge holder transmits real-time location data to the X-Guardian platform providing accuracy up to 4 feet, for quick tracking and improved situational awareness.

Key Features:

- Tracking enabled upon button press
- 3-year battery life
- Configurable panic button
- Vibration alerts
- Geofenced tracking upon activation
- Vertical and horizontal card orientation

X-Wearable Rechargeable Panic Badge Holder

Ideal for visitors or individuals needing continuous real-time monitoring, this innovative badge holder ensures seamless location tracking, even when the panic button is not activated. With the capability to charge using the X-Wearable Charging Station, it offers an eco-friendly and efficient solution to keep your devices operational.

Key Features:

- Rechargeable
- Vibration notification if a user goes outside of a geofenced area
- Configurable panic button
- Real-time tracking



Plug-in wall power supply included

X-Wearable Charging Station

Keep your wearable badges powered and ready for use. This charging station is designed to hold up to 12 rechargeable badge holders, making it a reliable accessory for offices, schools, and other high-traffic areas. With its easy plug-in wall power supply, it is the perfect solution to ensure your wearable devices are always operational when needed.

Contact Us
to Learn More!

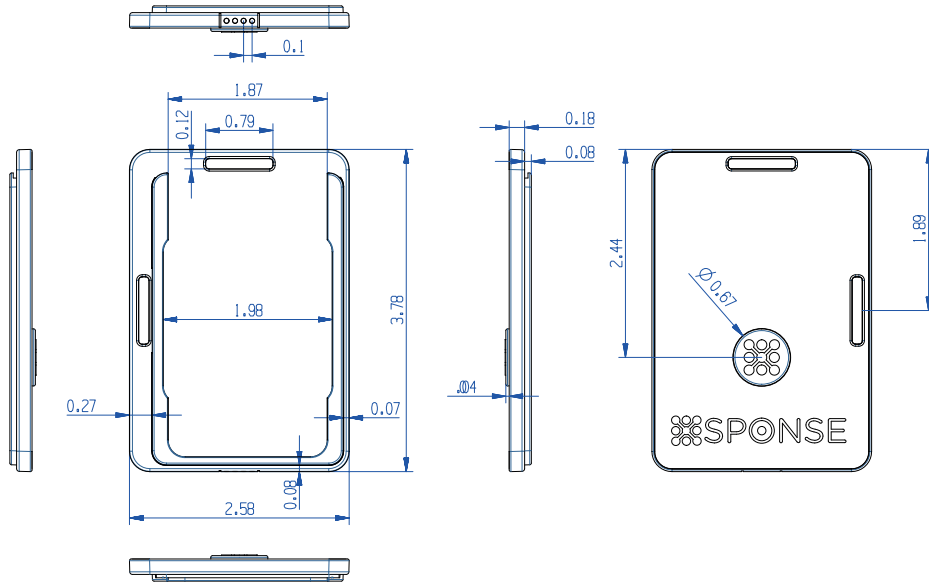
Toll Free: +1 833-977-6673

www.xsponse.com

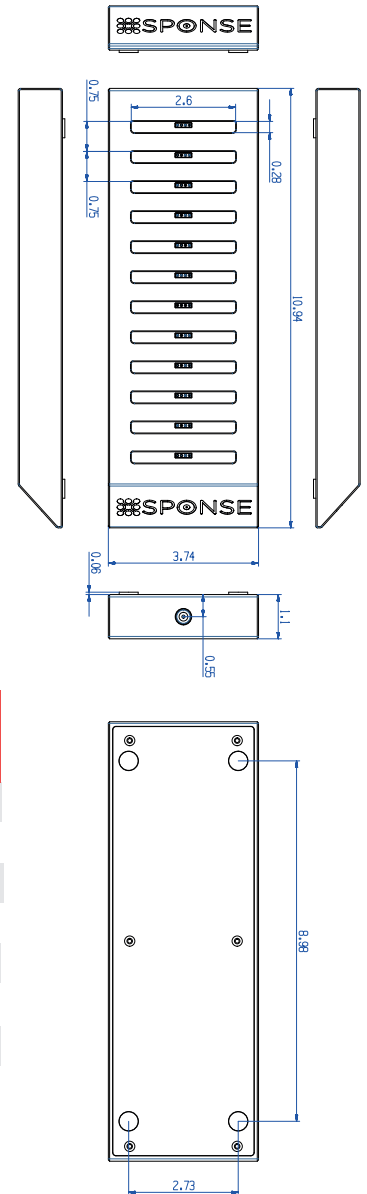


Technical Specifications

X-Wearable Panic Badge Holder



X-Wearable Charging Station



	X-Wearable Panic Badge Holder	X-Wearable Rechargeable Panic Badge Holder	X-Wearable Charging Station
Product Number	413-0002	413-0003	413-0001
Dimensions (L x W x D)	4.33 X 2.64 X 0.26 (inches)	4.33 X 2.64 X 0.26 (inches)	10.85 X 3.68 X 0.98 (inches)
Processor	SiLabs	SiLabs	N/A
Power Source	Battery: +3.0v, 920mAh	Battery: 3.7v, 300mAh	110v A/C; 5VDC power supply
Network Protocols	BLE	BLE	N/A
Vibration Module	Yes	Yes	N/A
Warranty	3 Years	3 Years	3 Years

All XSpense products utilize an X-Guardian software license connected to an X-Guardian Controller.



Contact Us
to Learn More!

Toll Free: +1 833-977-6673

www.xsponse.com

