

Instant Response, Unmatched Safety

X-Protect Panic Buttons

Provide a powerful solution for quick response during emergencies, ensuring safety in any environment. By integrating seamlessly with the XSpouse ecosystem, these buttons deliver immediate alerts to personnel, enabling rapid action when every second counts. The Panic Buttons have the ability to activate automated action plans such as locking doors or activating alarms, making them indispensable tools for maintaining security in schools, retail locations, and public spaces.

How X-Protect Panic Buttons Work

When activated, X-Protect Panic Buttons communicate instantly with the XSpouse's X-Guardian platform, triggering immediate alerts and automated responses across connected devices. Their reliable and user-friendly design ensures prompt access to help during critical situations, reinforcing overall safety protocols. No need to log into multiple devices—once connected to the X-Guardian service, devices automatically deploy in real-time, cutting down installation time. All devices come pre-configured for immediate use upon delivery.



X-Protect Desk Button

The X-Protect Desk Panic Button is a compact and accessible safety tool designed for easy placement on desks or workstations. Featuring a sleek design with an LED trim ring, this button ensures it is visible and ready for use in critical situations. When pressed, it promptly communicates with the X-Guardian platform, activating emergency procedures that alert security personnel or emergency responders. This desktop version is particularly suited for environments like classrooms and offices, where immediate assistance is vital.

Key Features

- Customizable Emergency Protocols: Users can program the X-Protect Desk Button to initiate specific responses.
- Integrated LED Trim Ring: Enhances visibility and indicates the operational status of the button.
- PoE Technology: Simple installation, using a single ethernet cable for both power and connectivity.

X-Protect Wall Button

The X-Protect Wall Button provides a critical safety solution designed for immediate access in high-traffic areas. Mounted on walls for optimal visibility and accessibility, this button is equipped with a tamper-detecting cover that alerts security personnel when accessed or removed. The integration with the X-Guardian platform enhances its functionality, allowing it to send real-time notifications to designated responders upon activation. This version is ideal for installation in hallways, lobbies, and emergency exits, ensuring quick communication in urgent situations.

Key Features

- Tamper Alert System: Sensors notify security teams of any attempts to activate the device.
- Programmable LED Feedback: RGBW LEDs offer instant visual alerts for the X-Protect Wall Button's status and the nature of the triggered event.
- PoE Enabled: Simplifies setup by eliminating the need for additional power sources.

Contact Us
to Learn More!

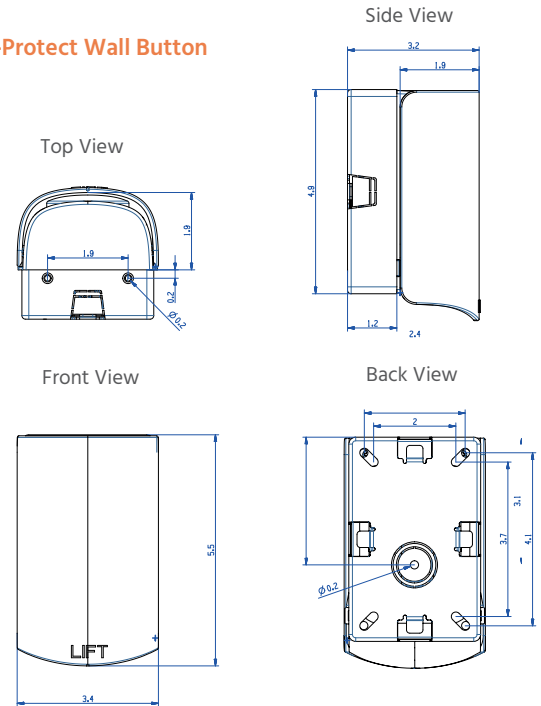
Toll Free: +1 833-977-6673

www.xspouse.com



Technical Specifications

X-Protect Wall Button



| | X-Protect Desk Button | X-Protect Wall Button |
|------------------------|---|--|
| Product Number | 901-0001 | 901-0003 |
| Dimensions (L x W x D) | 4.16 X 3.95 X 2.25 (inches) | 5.22 X 3.44 X 2.49 (inches) |
| Push Button Size | 0.88 (inches) | 2 (inches) |
| Power Source | PoE | |
| Processor | ESP32 | |
| Max Power | 12.9W | |
| Configuration | Automatic self deployment via X-Guardian platform | |
| Wire Type | Cat5e or greater | |
| Network Interface | Ethernet | |
| Networking | DHCP, HTTP, HTTPS, TCP/IP, ARP, Bonjour, MQTT (Port 8883), UDP, IPv4 / IPv6, mDNS | |
| Mounting | Desk Top | Ceiling/Wall (Includes a back box with wire mold and conduit knock outs) |
| Vandal Resistance | N/A | Yes |
| Warranty | 3 Years | |

All XSponse products utilize an X-Guardian software license connected to an X-Guardian Controller.



**Contact Us
to Learn More!**

Toll Free: +1 833-977-6673

www.xsponse.com

