

Real-time Monitoring and Alerting

X-Alert

The X-Alert continuously analyzes data from a network of sensors, swiftly detecting anomalies such as unauthorized access, environmental hazards, and emergencies. Reassure your staff and provide them with the peace of mind knowing that security teams, and emergency responders receive rapid notifications at the first sign of trouble. With its powerful automation features—like locking doors and activating alerts—the X-Alert is tied to X-Guardian minimizing reliance on manual intervention, making it an indispensable asset for comprehensive safety protocols. Elevate your security strategy today with the X-Alert and ensure a safer environment for everyone.

How X-Alert Works

The X-Alert is easily installed utilizing Power over Ethernet (PoE) connectivity. X-Alert monitors various environmental parameters through its integrated sensors, allowing for real-time detection. When unusual activity is detected, the system generates immediate notifications and triggers automated actions, enhancing response efficiency. Integration with X-Guardian's mapping technology further allows precise incident location tracking, ensuring effective resource allocation during critical situations. No need to log into multiple devices—once connected to the X-Guardian service, devices automatically deploy in real-time, cutting down installation time. All devices come pre-configured for immediate use upon delivery.



Key Features:



Real-Time Monitoring: Continuously tracks unusual activities, such as unauthorized access, environmental threats, and emergencies, ensuring immediate awareness of potential dangers.



Automation Capabilities: Autonomously initiate actions such as locking doors, triggering alarms, or activating audio-visual alerts, reducing the need for manual intervention.



Integrated Audio-Visual Alerts: Features RGB lighting and high quality audio including two way communication to capture immediate attention during alerts.



Mapping and Location Tracking: Works in conjunction with X-Guardian's two-way 3D/4D visualizations for pinpointing incident locations and enhancing situational awareness during emergencies.



Automated Deployment: The X-Alert utilizes plug-and-play technology for easy installation, enabling rapid deployment across various environments without complex setups.



Compatibility with Smart Devices: Integrates effortlessly with other XSpense devices, creating an interconnected and efficient security system that maximizes communication and response capabilities.

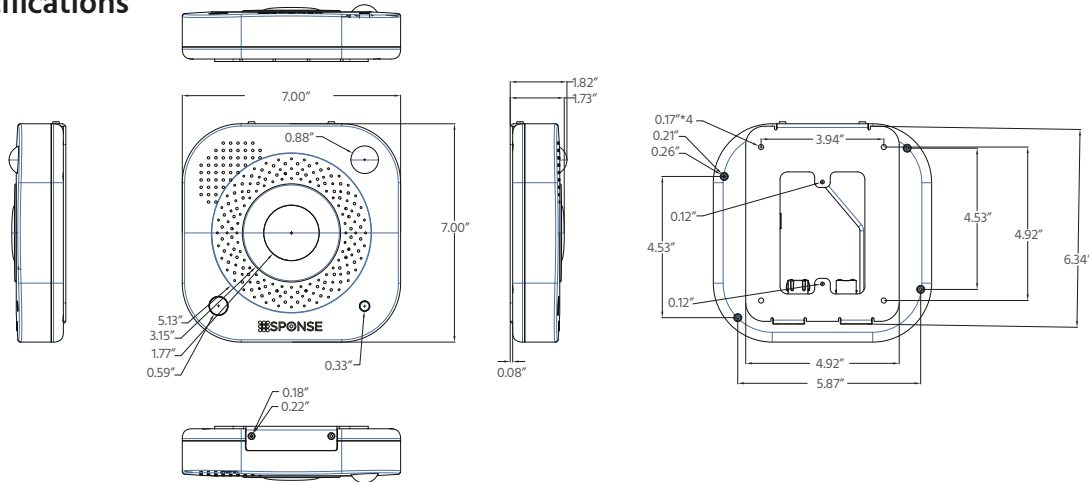
**Contact Us
to Learn More!**

Toll Free: +1 833-977-6673

www.xspense.com



Technical Specifications



X-Alert

Product Number	0189-0004	Environmental	Temperature detection, relative humidity, air pressure, TVOC
Dimensions (L x W x D)	7.0 X 7.0 X 1.77 (inches)	Detection	Keyword activations, gunshot, aggression, glass break, light level, occupancy, motion
Processor	Broadcom BCM2711	People Counting	Optional
Network Interface	Ethernet	RGB Strobe	Yes
Network Protocols	DHCP, HTTP, HTTPS, TCP/IP, ARP, Bonjour, MQTT (Port 8883), UDP, IPv4 / IPv6, mDNS	Speaker	15W speaker
Wiring	Cat5e or greater	Microphone	2 omnidirectional microphone -25dB
Max Power	71W	Warranty	3 Years
Configuration	Automatic self deployment via X-Guardian platform		
Mounting	Ceiling/Wall		
Ethernet Passthrough	PoE++ In / PoE + Out		

All XSpense products utilize an X-Guardian software license connected to an X-Guardian Controller.



**Contact Us
to Learn More!**

Toll Free: +1 833-977-6673

www.xspense.com

